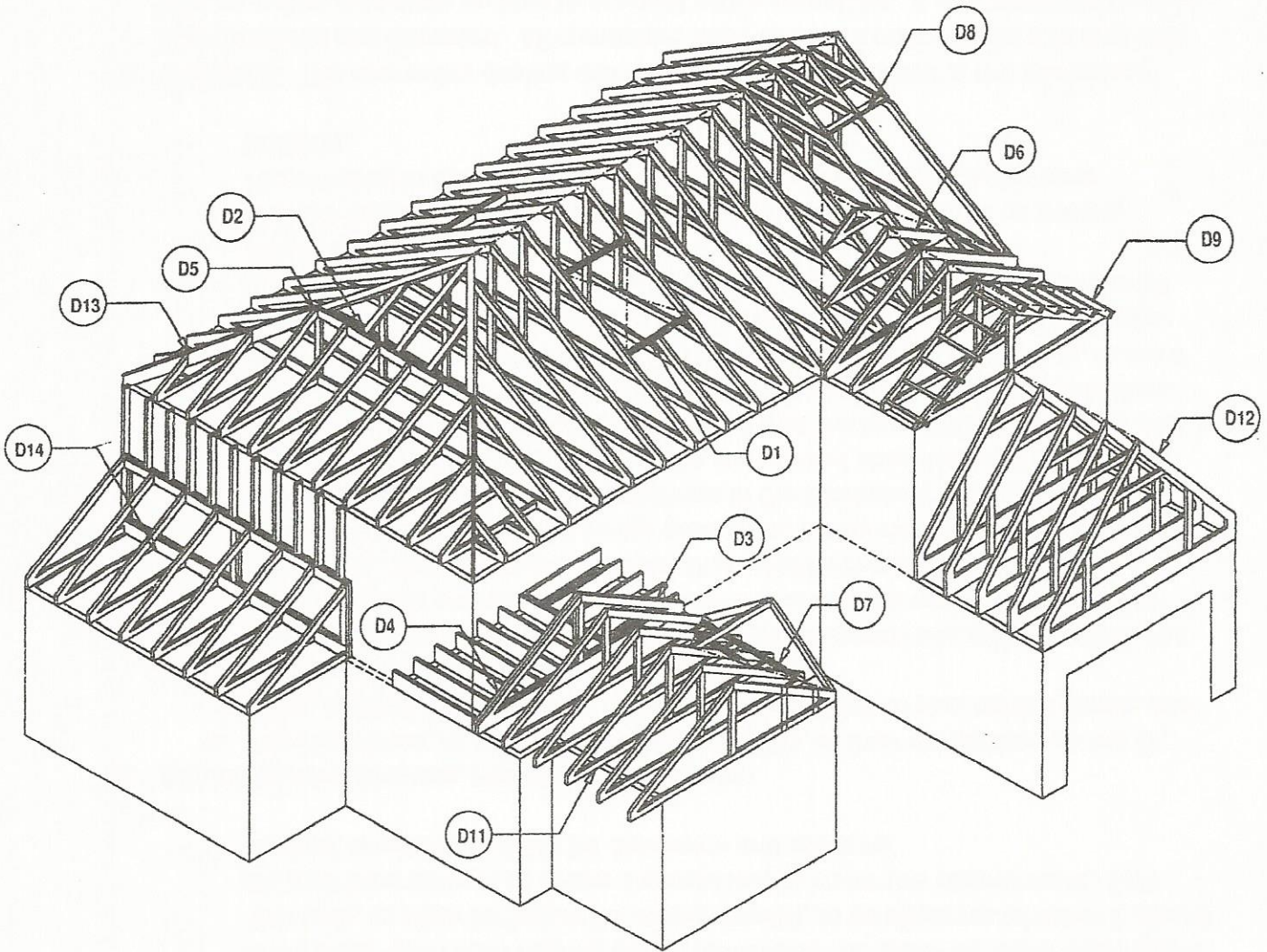
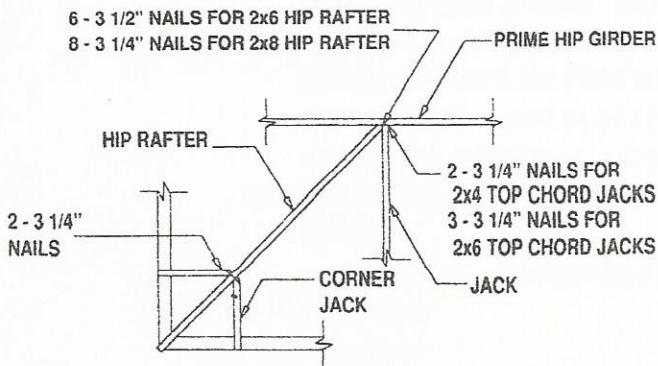


INSTALLATION DETAIL REFERENCE DIAGRAM



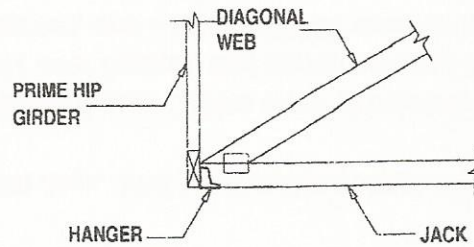
RECOMMENDED CORNER SET DETAILS



PLAN VIEW

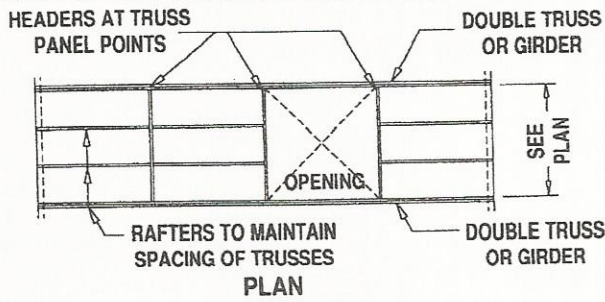
D13

NOTE: THE HANGER IS ONLY REQUIRED ON A HIP SYSTEM WHEN THE JACKS HAVE A DIAGONAL WEB AS SHOWN.

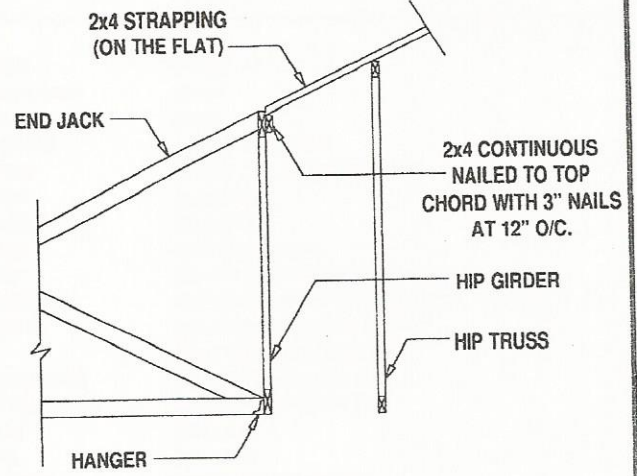


CROSS SECTION

D14



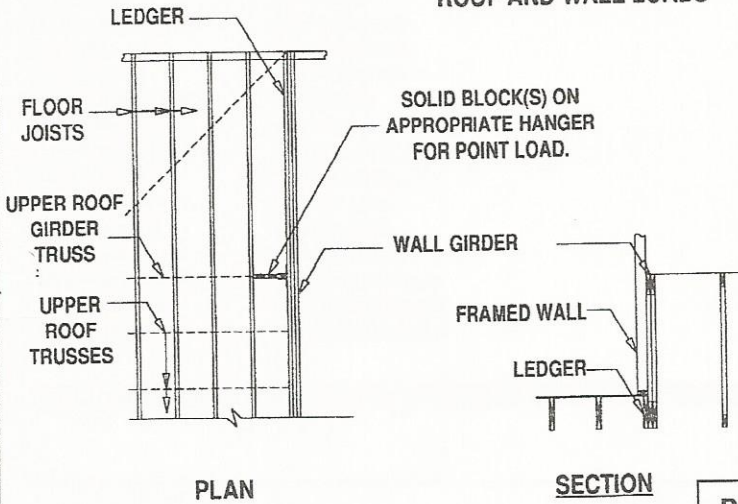
D1



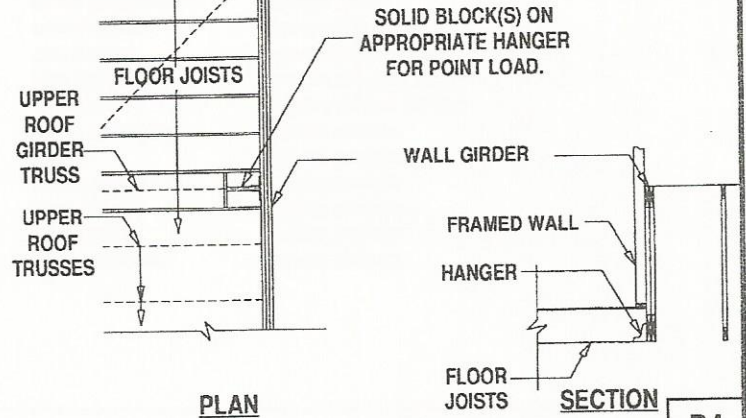
SECTION

D2

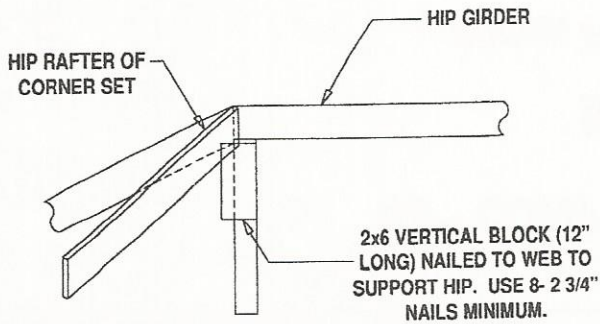
LEDGER NAILING MUST BE ADEQUATE FOR UPPER ROOF AND WALL LOADS



D3

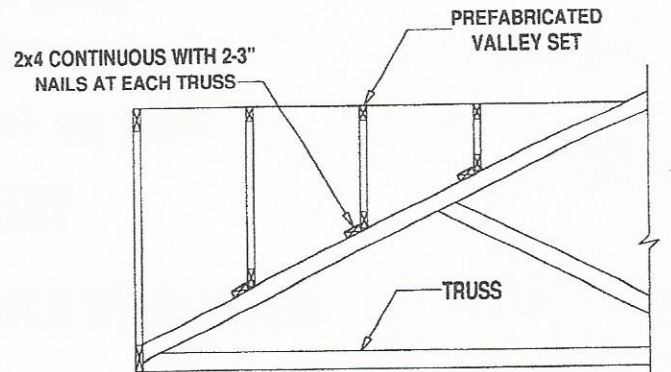


D4



SECTION

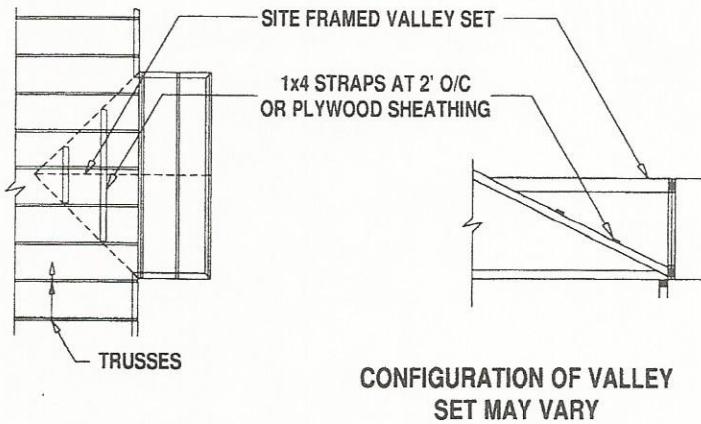
D5



FOR PITCHES GREATER THAN 6/12

SECTION

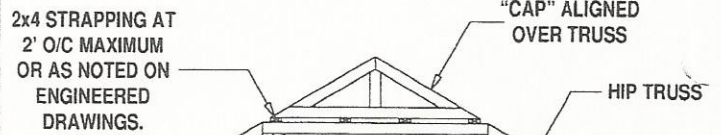
D6



PLAN

SECTION

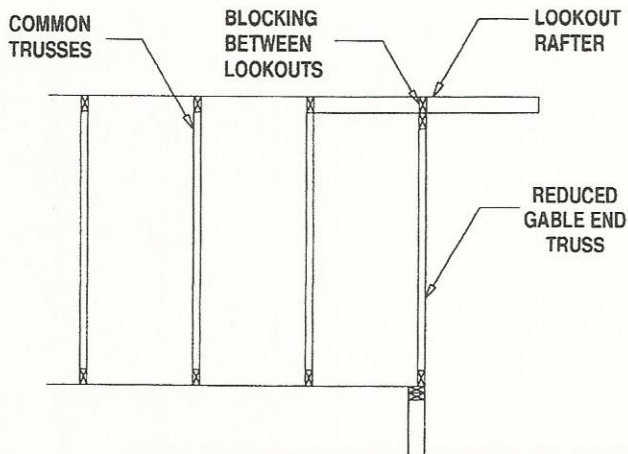
D7



**ACTUAL TRUSS
CONFIGURATION
MAY VARY**

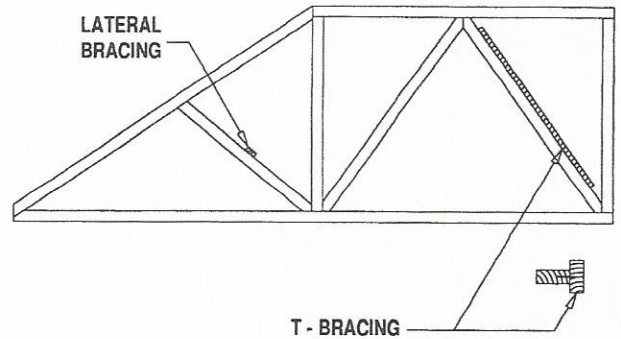
SECTION

D8



SECTION

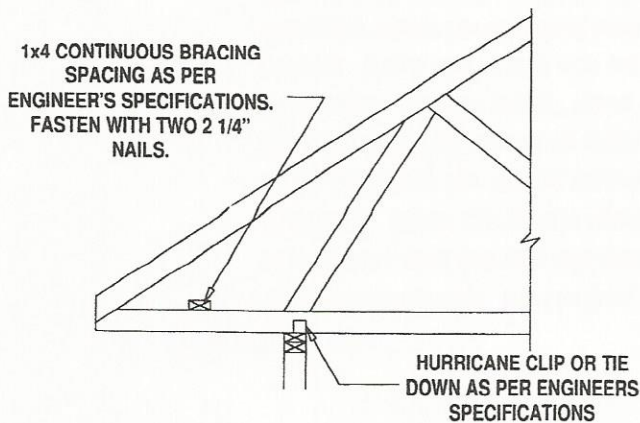
D9



DETAIL

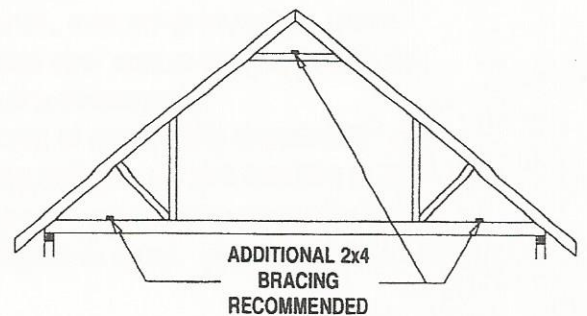
WHEN THE WEB CONFIGURATION ACROSS A SERIES OF TRUSSES DOES NOT ALLOW FOR CONVENTIONAL LATERAL BRACING, T - BRACING IS REQUIRED. FOR LUMBER SIZE AND NAILING PATTERN SEE ENGINEERING SPECIFICATION SHEETS.

D10



CANTILEVER DETAIL

D11



D12